

GE Monogram®

Installation

Instructions

Stainless Steel
36" Built-In
Refrigerators
and Freezers

Models

ZIRS36N LH – All Refrigerator

ZIRS36N RH – All Refrigerator

ZIFS36N LH – All Freezer

ZIFS36N RH – All Freezer

Before you begin – Read these instructions completely and carefully.
 IMPORTANT – Save these instructions for local inspector’s use.
 IMPORTANT – OBSERVE ALL GOVERNING CODES AND ORDINANCES.
 Note to Installer – Be sure to leave these instructions with the Consumer.
 Note to Consumer – Keep these instructions with your Owner’s Manual for future reference.

⚠ WARNING This appliance must be properly grounded. See “Grounding the Refrigerator,” page 7.

⚠ ATTENTION Cet appareil doit être correctement mis à la terre.
 Consulter « Mise à terre du réfrigérateur », page 7.

If you received a damaged product, you should immediately contact your dealer or builder. Proper installation is the responsibility of the installer. Product failure due to improper installation is not covered under the GE Appliance Warranty. See the Owner’s Manual for warranty information.

**For Monogram local service in your area,
 1.800.444.1845.**
**For Monogram Service in Canada,
 1.888.880.3030.**
**For Monogram Parts and Accessories, call
 1.800.626.2002.**

⚠ CAUTION
 Due to the weight and size of this refrigerator, and to reduce the risk of personal injury or damage to the product – THREE PEOPLE ARE REQUIRED FOR PROPER INSTALLATION.

⚠ PRUDENCE
 À cause du poids et de la taille de ce réfrigérateur et pour réduire le risque de blessure et de dommages, IL FAUT TROIS PERSONNES POUR FAIRE L’INSTALLATION CORRECTEMENT.

⚠ WARNING

- Use this appliance only for its intended purpose.
- Immediately repair or replace electric service cords that have become frayed or damaged.
- Unplug the refrigerator before cleaning or making repairs.
- Repairs should be made by a qualified service technician.

⚠ ATTENTION

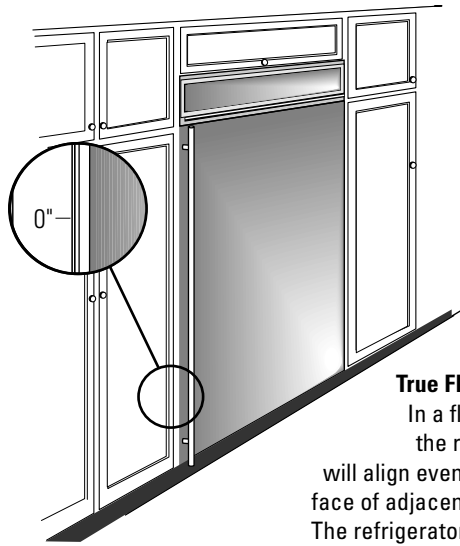
- Il ne faut utiliser cet appareil que pour l’usage pour lequel il a été construit.
- Il faut réparer ou remplacer immédiatement tout cordon d’alimentation électrique effiloché ou endommagé.
- Débrancher le réfrigérateur avant le nettoyage ou toute intervention.
- Les réparations doivent être faites par un technicien qualifié.

Contents

| | | | |
|---|------|---|-----------|
| Design Information | | Installation Instructions | |
| Flush or Semi-Flush Enclosure Installations | 3 | Step 2: Install Water Line | 9 |
| Enclosure Cutout and Product Dimensions | 3, 4 | Step 3: Install Side Panels | 10 |
| Accessory Grille Panel Kits | 4 | Step 4: Install Anti-Tip Brackets | 10 |
| Installation Examples | 4, 5 | Step 5: Level Refrigerator | 11 |
| Product Dimensions | 5 | Step 6: Optional Anti-Tip Precaution | 11 |
| Installation Preparation | | Step 7: Connect Water Supply | 12 |
| Clearances | 6 | Step 8: Connect Power | 12 |
| Electrical and Water Connection Location | 6 | Step 9: Mount Top Grille Panel | 12 |
| Grounding the Refrigerator | 7 | Step 10: Adjust Door Alignment | 13 |
| Tools Required | 8 | Step 11: Install Toekick | 13 |
| Materials Required | 8 | Step 12: Set Temperature Controls | 13 |
| Hardware Supplied | 8 | Step 13: Start Icemaker | 13 |
| Hardware Recommendations | 8 | Problem Solving | 13 |
| Flooring | 8 | ZUGSS Unified Grille Panel Kit | 14 |
| Step 1: Remove Packaging | 8 | | |

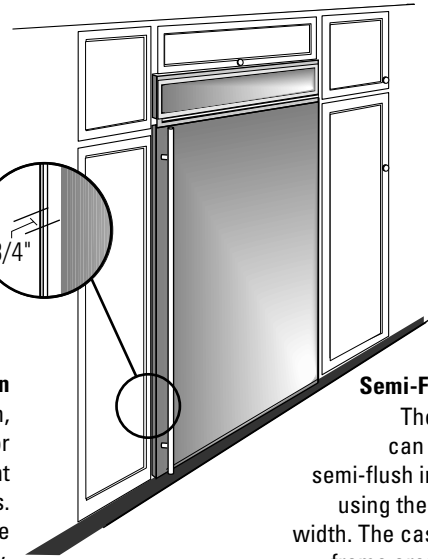
Advance Planning

Flush or Semi-Flush Enclosure Installations



True Flush Installation

In a flush installation, the refrigerator door will align evenly with the front face of adjacent cabinet doors. The refrigerator blends into the surrounding cabinetry.



Semi-Flush Installation

These refrigerators can also be installed semi-flush into an enclosure using the minimum cutout width. The case trim creates a frame around the opening.

Monogram built-in refrigerators and freezers can be installed flush with typical 24-3/4" deep cabinetry.

When installed semi-flush, the case trim will conceal slight gaps around the enclosure. The refrigerator will project forward approximately 3/4" beyond the front face of surrounding cabinetry.

Side Panel Requirements:

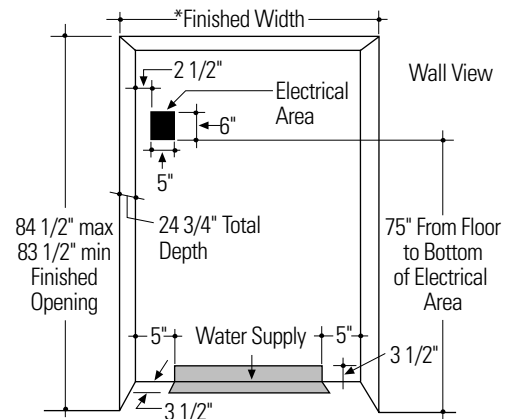
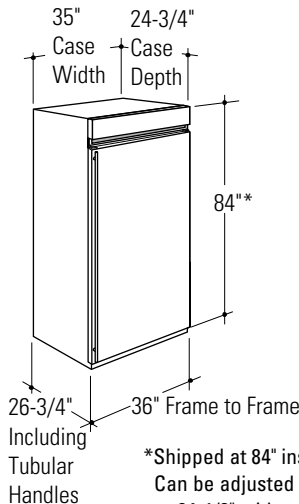
- Side panels are not required whenever the refrigerator or freezer is installed into an enclosure or between pantry and oven cabinets.
- Side panels are required whenever the sides of the product are exposed.
- Side panel sizes vary depending on the type of installation being made.

To accomplish an attractive installation, you must:

1. Determine the need for side panels.
2. Determine side panel thickness.
3. Order matching side panels from the cabinet manufacturer. Be sure to provide the exact dimensions.

Enclosure Cutout and Product Dimensions

- To achieve a flush fit, the finished cutout width must be at least 36" wide.
- In a semi-flush installation, the finished cutout must be 35-1/2".
- The electrical and water locations must be located as shown for either type of installation.



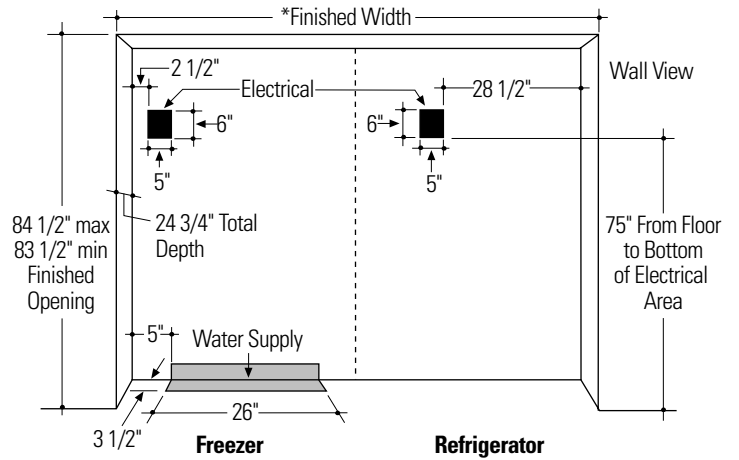
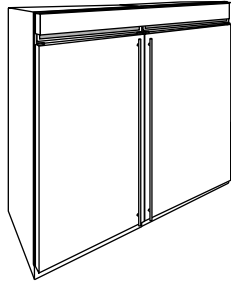
*36" for a flush installation.
35-1/2" Min. for a semi-flush installation.

NOTE: Additional cutout width may be required when side panels are used. Add side panel thickness to the finished cutout to calculate rough-in width. See installation examples on the following page.

Design Information

36" Stainless Steel Refrigerators, Freezers

Side By Side Installation Of Freezer And Refrigerator



For a complete food storage center, install a Monogram Freezer and Refrigerator side by side. For even more capacity, install two refrigerators and one or two freezers.

- Order ZUGSS Unified Grille Panel Kit for one continuous stainless steel grille panel.
- Electrical and water locations must be located as shown for either type of installation. A separate 115V, 60Hz, 20 amp power supply is recommended for each product.

*72" min. for a flush installation
71-1/2" min. for a semi-flush installation

NOTE: Additional cutout width may be required when side panels are used. Add side panel thickness to the finished cutout to calculate rough-in width. See installation examples below.

Accessory Grille Panel Kits

These models are factory set for 84" installation height. Adjustments to 83-1/2" or 84-1/2" heights can be made by changing the grille panel.

Order ZGCSS36RH (right hand) or **ZGCSS36LH** (left hand) Grille Panel Kit. These kits include 2 grille panels, for 83-1/2" and 84-1/2" installation heights.

ZUGSS Unified Grille Panel Kit

For side by side installation, order ZUGSS grille panel kit. This kit provides one continuous panel to span the width of two products installed together for a unified appearance.

Installation Examples

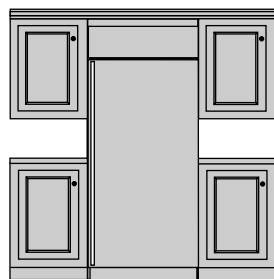
Side panels are required whenever the sides of the product will be exposed.

1/2" to 3/4" side panels are normally set into place and fastened to adjacent cabinetry or to the back wall before rolling the refrigerator or freezer into the opening.

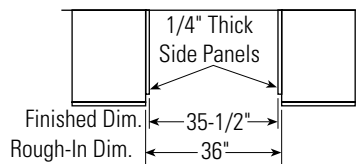
Therefore, the rough-in dimensions must allow for side panel thickness. In both a flush and semi-flush installation, the finished dimension (the width of the opening after side panels are installed) must accommodate the full width of the product.

See page 10 for side panel sizes.

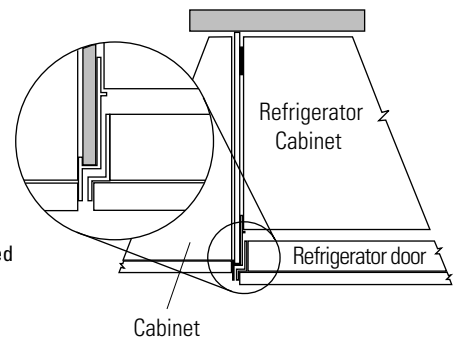
Installation Between Base and Wall Cabinets



Refrigerator or Freezer



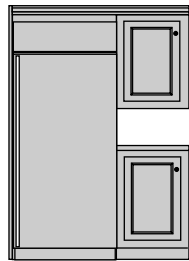
NOTE: 1/4" thick side panels can be inserted into the case trim, making the rough-in the same as the outside trim width: 36".



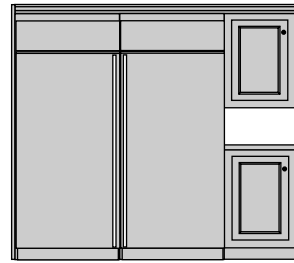
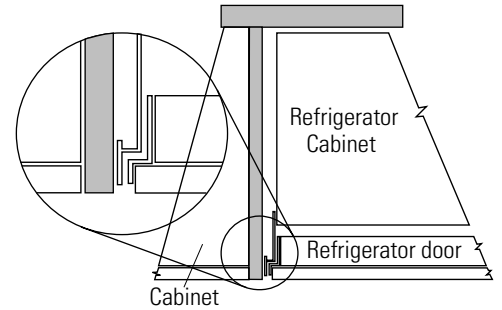
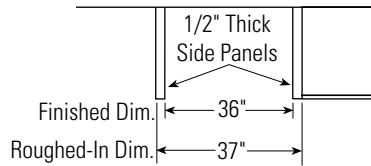
Design Information

36" Stainless Steel Refrigerators, Freezers

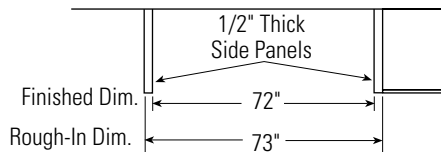
Installation At End-of-Run



Refrigerator or Freezer



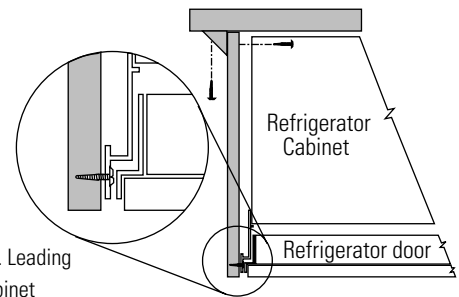
Refrigerator and Freezer
installed side-by-side



NOTE: 1/2" thick side panels shown. Side panels can be any thickness. Add side panel thickness to outside trim width, (36" or 72" for two models) to calculate the rough-in dimension. The leading (front) edge must be finished to match surrounding cabinetry.

Frameless Cabinets

Side panels, 1/2" minimum thickness are required when using frameless cabinets. The side panel acts as a spacer between the cabinet and the case trim and prevents interference with cabinet door swing. The leading (front) edge must be finished to match surrounding cabinetry.



1/2" To 3/4" Side Panels. Leading
Edge Flush With Cabinet

Product Dimensions

ZIRS36N RH, Refrigerator

ZIFS36N RH, Freezer

Handle on the left side, the door swings left to right.

ZIRS36N LH, Refrigerator

ZIFS36N LH, Freezer

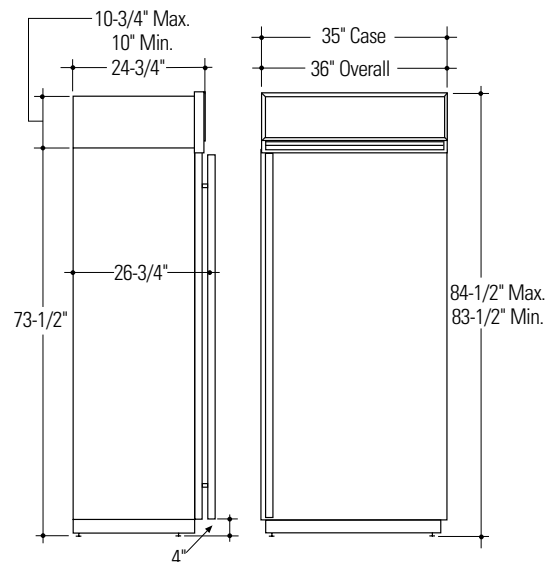
Handle on the right side, the door swings right to left.

CAUTION

Refrigerators are much heavier at the top than at the bottom – be extra careful when moving.

PRUDENCE

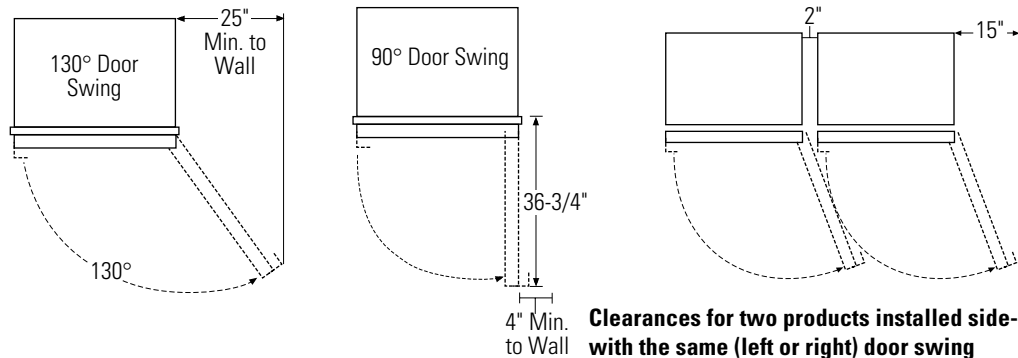
Les réfrigérateurs sont beaucoup plus lourds en haut qu'en bas. Il faut être prudent lors des déplacements.



Installation Preparation

36" Stainless Steel Refrigerators, Freezers

Clearances



Factory set for a 130° door swing. Order WX14X99 adjustable door stop to reduce swing to as little as 90°.

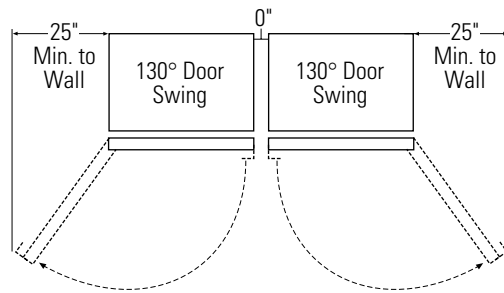
When Installed into a corner:

Allow 25" for a full 130° door swing. Allow 15" for pan removal. Allow 4" min. clearance when door swing is adjusted to a 90° opening for pan access, but pan removal is restricted.

Clearances for two products installed side-by-side with the same (left or right) door swing

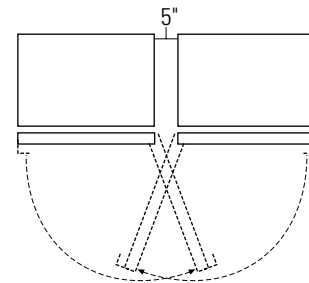
Allow 2" minimum clearance between the products to prevent door swing interference. Order the WX14X99 adjustable door stop to reduce the factory set 130° door swing. Allow 15" minimum to a wall to achieve full drawer extension and pan removal.

NOTE: ZUGSS Grille Panel Kit will not fit this installation.



Clearances for Multiple Single Door Installations

In a side-by-side installation of a left and right door swing product, no clearance between the units is required. Order ZUGSS Stainless Steel Unified Grille Panel Kit for one continuous grille panel.



Clearances for two products installed side-by-side with right and left side hinges together

Allow 5" minimum between the two products to prevent one door from striking the other. Use the WX14X99 adjustable door stop to reduce the factory set 130° door swing and to allow pan removal.

NOTE: ZUGSS Grille Panel Kit will not fit this installation.

Electrical and Water Connection Locations

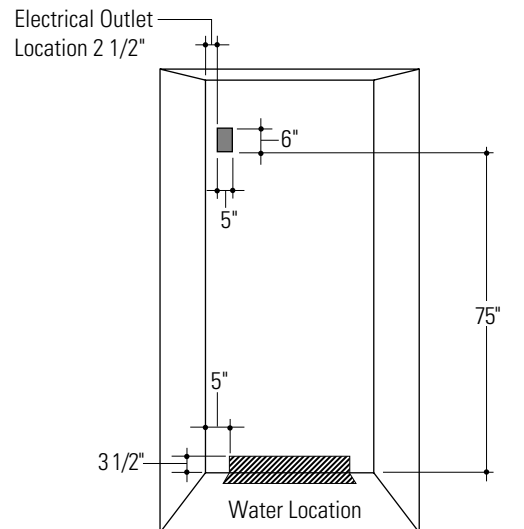
The water line can be routed through the floor or back wall.

- The icemaker water line should be:
 - Approximately 3-1/2" from the floor on the back wall,
 - or 3-1/2" from the back wall on the floor.
 - At least 5" from either side of the opening.

A 115 volt, 60 Hz 15 or 20 amp power supply is recommended. An individual properly grounded branch circuit or circuit breaker is recommended, as noted on the rating plate.

- Locate the electrical outlet within 5" x 6" shaded area shown.
 - 2-1/2" from the left side.
 - Between 75" and 81" from the floor.

IMPORTANT: To insure a flush fit and access to the power cord, locate the electrical outlet as shown.



Grounding the Refrigerator

IMPORTANT – (Please read carefully)

FOR PERSONAL SAFETY, THIS APPLIANCE MUST BE PROPERLY GROUNDED.

The power cord of this appliance is equipped with a 3-prong (grounding) plug that mates with a standard three-prong (grounding) wall receptacle to minimize the possibility of electric shock hazard from this appliance.

Have the wall outlet and circuit checked by a qualified electrician to make sure the outlet is properly grounded.

Where a standard 2-prong wall outlet is encountered, it is your personal responsibility and obligation to have it replaced with a properly grounded 3-prong wall outlet.

IMPORTANT:

We recommend two separate 115V, 60Hz, 20 amp properly grounded electrical outlets for a side by side installation of two products. Each electrical outlet should have a voltage rating that matches the rating plate.

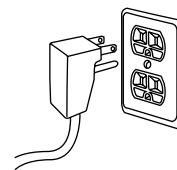
Use of Adapter plug

Because of potential hazards under certain conditions, we strongly recommend against use of an adapter plug. However, if you still elect to use an adapter, where local codes permit, a TEMPORARY CONNECTION may be made to a properly grounded 2-prong wall outlet by use of a UL listed adapter available at most hardware stores.

The larger slot in the adapter must be aligned with the larger slot in the wall outlet to provide proper polarity in the connection of the power cord.

CAUTION

Attaching the adapter ground terminal to a wall outlet cover screw does not ground the appliance unless the cover screw is metal, and not insulated, and the wall outlet is grounded through the house wiring. You should have the circuit checked by a qualified electrician to make sure the outlet is properly grounded.



DO NOT, UNDER ANY CIRCUMSTANCES, CUT OR REMOVE THE THIRD (GROUND) PRONG FROM THE POWER CORD.

When disconnecting the power cord from the adapter, always hold the adapter in place with one hand and pull the power cord with the other hand. If this is not done, the adapter ground terminal is very likely to break with repeated use.

Should the adapter ground terminal break, DO NOT USE the appliance until a proper ground has again been established.

Use of Extension Cords

Because of potential safety hazards under certain conditions, we strongly recommend against the use of an extension cord. However, if you still elect to use an extension cord, it is absolutely necessary that it be a UL listed, 3-wire grounding type appliance extension cord having a grounding type plug and outlet, and that the electrical rating of the cord be 15 amperes (minimum) and 120 volts.

PRUDENCE

FICHE D'ADAPTATION
(Fiches d'adaptation non permises au Canada)

Installation Preparation

36" Stainless Steel Refrigerators, Freezers

Tools Required

- Tinsnips to cut banding
- Stepladder
- Bucket
- Level
- 1-1/4" open-end wrench
- Appliance hand truck
- Tubing cutter
- 7/16" open-end wrench
- #2 Phillips screwdriver
- Stubby Phillips screwdriver
- Drill and appropriate bits
- 7/16" socket with 3" extension for ratchet
- Safety glasses

Materials Required

- 2x4, 35" long, for Anti-Tip support, see page 10
- Stick-on hook and loop fastener strips for 1/4" side panels
- 1/4" copper water line tubing or GE SmartConnect™ Tubing Kit
- Water shut-off valve
- Screws to secure refrigerator to cabinetry

Hardware Supplied

- 1/4-1/4 union with nuts
- Anti-tip mounting brackets

Hardware Recommendations

- Water shut-off valve
- Water filter WR97X0214

Flooring

For proper installation, the refrigerator and freezer must be placed on a level surface of hard material that is at the same height as the rest of the flooring. The floor must be strong enough to support a fully loaded product, or approximately 1,200 lbs.

NOTE: Protect the finish of the flooring. Cut a large section of the cardboard carton and place under the product where you are working.

Step 1 Remove Packaging

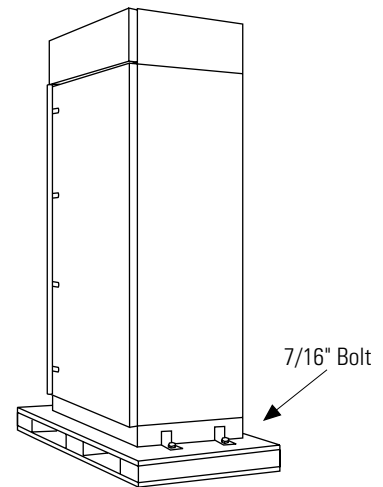
CAUTION

Refrigerator is much heavier at the top than at the bottom – be careful when moving. When using a hand truck, handle from side only.

PRUDENCE

Le réfrigérateur est beaucoup plus lourd en haut qu'en bas. Il faut être prudent lors des déplacements. Si un diable est utilisé, il faut soulever le réfrigérateur sur le côté seulement.

- Remove outer carton.
 - Carefully cut banding at the top and bottom.
 - Slide out back corner posts (2).
 - Slide carton off top of cabinet.
 - Remove styrofoam pads taped to base cabinet.
- NOTE: IT IS NOT NECESSARY TO LAY CABINET DOWN IN ORDER TO REMOVE SKID!**
- The unit is secured to the skid with 3 slotted tie-down straps. First remove the 5/16" bolts from the base channels in the tie-downs, then remove the 7/16" bolts securing the straps to the skid.
 - Protect the flooring. Cut a large piece of the cardboard carton and place under the product where you are working.
 - Support blocks on the bottom must be removed before the refrigerator is taken off the skid or damage will occur. Remove support blocks by carefully tilting cabinet to side and sliding out.
 - Lift the refrigerator off the skid with an appliance dolly. Handle from the sides.



CAUTION

DO NOT ATTEMPT TO ROLL UNIT OFF SKID.

PRUDENCE

IL NE FAUT PAS ESSAYER DE FAIRE ROULER LE RÉFRIGÉRATEUR POUR L'ENLEVER DE LA PALETTE.

Installation

36" Stainless Steel Refrigerators, Freezers

Step 2 Install Freezer Water Line

- A cold water supply is required for automatic icemaker operation. The water pressure must be between 20 and 120 p.s.i.
- Route 1/4" OD copper or GE SmartConnect™ tubing between house cold water line and the water connection location.
- Tubing should be long enough to extend to the front of the freezer. Allow enough to accommodate bend leading into the water valve.

NOTE: The only GE approved plastic tubing is supplied in the GE SmartConnect™ Refrigerator Tubing Kits. Do not use any other plastic water supply line because the line is under pressure at all times. Other types of plastic may crack or rupture with age and cause water damage to your home.

GE SmartConnect™ Refrigerator Tubing Kits are available in the following lengths:
2' (0.6 m) WX08X10002
6' (1.8 m) WX08X10006
15' (4.6 m) WX08X10015
25' (7.6 m) WX08X10025

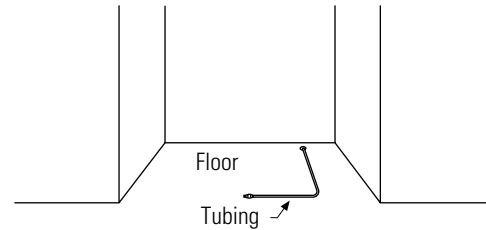
Shut off the main water supply

Turn on the nearest faucet long enough to clear the line of water.

Install a shut-off valve between the icemaker water valve and cold water pipe in a basement or cabinet. The shut-off valve should be located where it will be easily accessible.

NOTE: Saddle type shut-off valves are included in many water supply kits. Before purchasing, make sure a saddle type valve complies with your local plumbing codes.

- Install optional water filter in the water line near the freezer. A water filter is recommended in areas where water supply contains sand or particles. Installation instructions are packed with the filter.



NOTE: Commonwealth of Massachusetts Plumbing Codes 248CMR shall be adhered to. Saddle valves are illegal and use is not permitted in Massachusetts. Consult with your licensed plumber.

Installation

36" Stainless Steel Refrigerators, Freezers

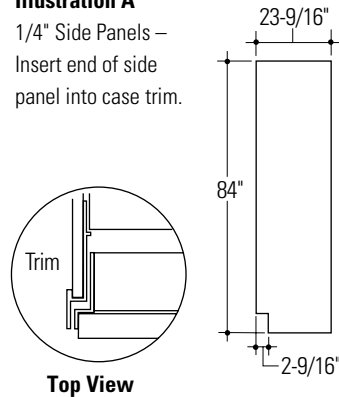
Step 3 Install Side Panels

- Side panels are required whenever the sides of the product will be exposed and when installed between frameless cabinets. See pages 3 and 4.
- Side panels are not required when installed into an enclosure.
- Side panel installation will be determined by the design of the side panel you have previously chosen.
- Side panels must be installed plumb.

- If you choose to use 1/4" side panels, they should be inserted into the case trim as illustrated. Fasten the panels to the product with stick-on hook and loop fastener strips before setting in place. See illustration A.
- 1/2" to 3/4" side panels are normally set into place and fastened to adjacent cabinetry or the back wall before rolling the product into the opening. See illustration B.

Illustration A

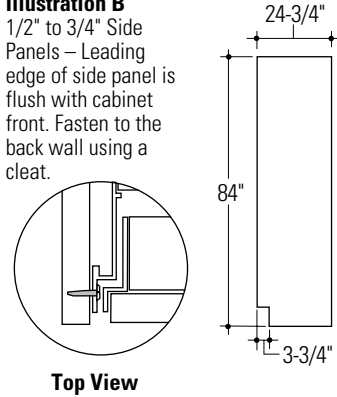
1/4" Side Panels –
Insert end of side
panel into case trim.



Standard 4" high toekick or trim to fit. Height may vary depending on application.

Illustration B

1/2" to 3/4" Side
Panels – Leading
edge of side panel is
flush with cabinet
front. Fasten to the
back wall using a
cleat.



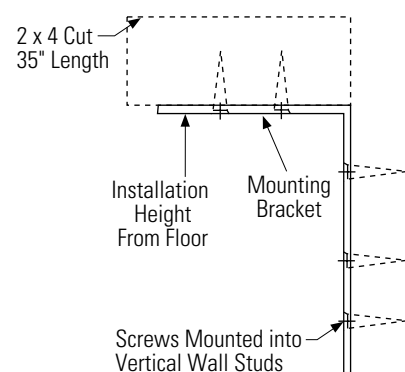
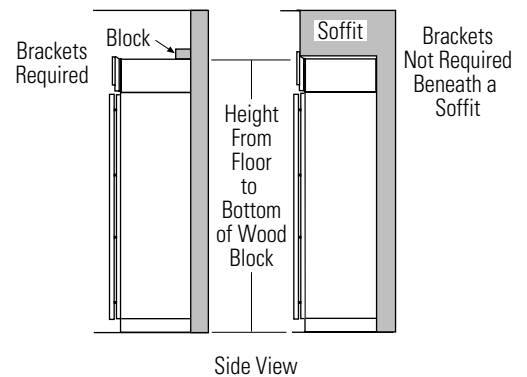
Standard 4" high toekick or trim to fit. Height may vary depending on application.

Step 4 Install Anti-Tip Brackets

WARNING
ANTI-TIP PRECAUTIONS
The refrigerator is top-heavy and must be secured to prevent the possibility of tipping forward.

ATTENTION
PRECAUTIONS CONTRE LES BASCULEMENTS
Le réfrigérateur est beaucoup plus lourd en haut et il faut le maintenir en place pour éviter la possibilité de son basculement vers l'avant.

- Cut a 2" x 4" x 35" block and secure the block to the mounting brackets provided using #12 or #14 wood screws.
- Secure the bracket with wood block to the back wall so that it is 84" (or your installation height) from the finished floor. Use #12 or #14 wood screws. See illustration.
- Screws must penetrate at least one inch into vertical wall studs.
- Before pushing the refrigerator into the opening, plug the power cord into the receptacle. Open the grille panel and reach into the opening at the back to grasp the power cord. Pull the power cord into the opening as you push the refrigerator back.
- Gently push refrigerator into the opening with hands against front corners.



IMPORTANT NOTE: When the refrigerator is installed under a soffit or if there is not enough height for this method of security, brackets cannot be used. Proceed to step 5 to level the refrigerator and then to step 6 to secure refrigerator to cabinets. The refrigerator must be secured to prevent tipping.

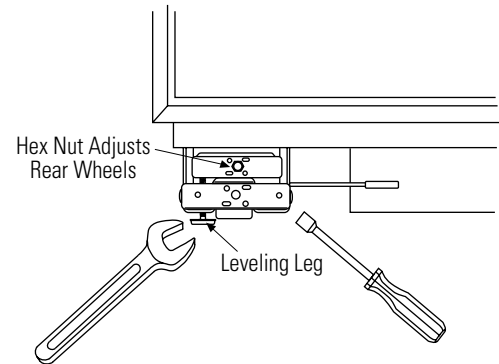
Installation

36" Stainless Steel Refrigerators, Freezers

Step 5 Level Refrigerator

These products have a 4-point leveling system. The front is supported by leveling legs, the rear is supported by wheels.

- Adjust rear wheels beneath the product to just barely touch the 2x4 block.
- Turn the 7/16" hex nut located above the front wheels. Turn to raise or lower.
- For front leveling legs, use a 1-1/4" open-end wrench.
- Adjust carefully; the product should be level and plumb with cabinetry, and should align with toekick height.



CAUTION

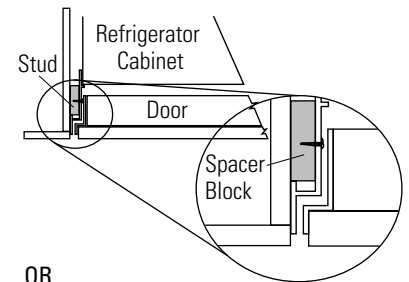
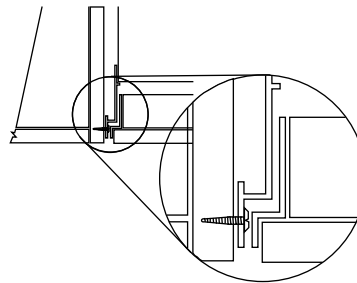
The rear leveling wheels and front leveling legs are limited to a maximum height adjustment of 1". If the installation requires more than 84-1/2" height, the installer should elevate the refrigerator on a sheet of plywood or runners. Cabinetry trim could also be added across the top of the opening to shorten the opening. **If you attempt to raise the refrigerator more than 1", you will damage the front leveling legs and rear leveling wheels.**

PRUDENCE

Les roues de nivellement arrière et les pattes de nivellement avant permettent un réglage maximal de 25 mm (1 po). Si l'ouverture pour le réfrigérateur a une hauteur supérieure à 2,15 m (84-1/2 po), l'installateur doit élever le réfrigérateur sur une feuille de contre-plaqué ou des glissières. Il est également possible d'ajouter des baguettes de finition des placards sur le haut de l'ouverture afin de la réduire. **Lever le réfrigérateur de plus de 25 mm (1 po) endommage les pattes de nivellement avant et les roues de nivellement arrière.**

Step 6 Secure Product to Sides

NOTE: Whenever possible, perform this step for additional anti-tip security. This step can be used as an alternate to Step 4, Anti-Tip bracket installation, whenever brackets cannot be used.



OR

When using 1/2" to 3/4" side panels, the front flange of the case trim is attached to the side panel.

- Open door to access case trim.
- Drill hole in trim below interior opening. Drive screw through trim and side panel.
- Follow the same procedure on opposite side.

If installed between cabinets with no side panels or in a custom enclosure, install a spacer block as shown.

- Open door to access case trim.
- Drill hole in trim below opening. Drive screw through trim and into block.
- Follow the same procedure on opposite side.

Installation

36" Stainless Steel Refrigerators, Freezers

Step 7 Connect Freezer Water Supply

- Locate and bring tubing to the front of the cabinet.
- Turn the water on to flush debris from the line. Run about a quart of water through the tubing into a bucket, then shut off water.

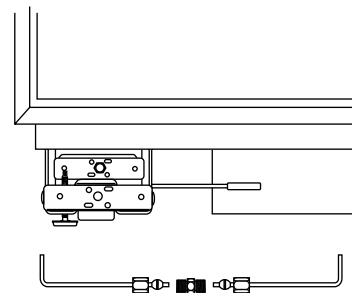
Copper Tubing:

- Slip a 1/4" nut and ferrule (provided) over both ends of the copper tubing. Insert tube into the union fitting on the unit and tighten nut to union.
- Turn on the water to check for leaks.

GE SmartConnect™ Tubing:

- Insert the molded end of the tubing into the refrigerator connection. Tighten the compression nut until it is just hand tight.
- Tighten one additional turn with a wrench. Overtightening can cause leaks!
- Turn on the water to check for leaks.

NOTE: Make sure excess tubing length does not interfere with toekick installation.



Step 8 Check Power

- Check to make sure power is on by opening the door to see if interior lights are on.

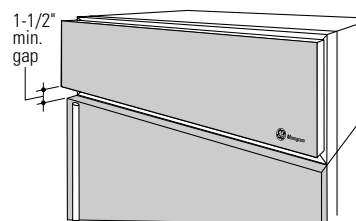
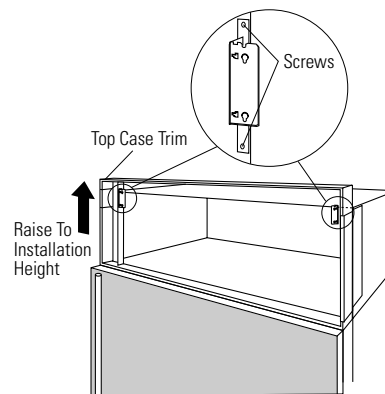
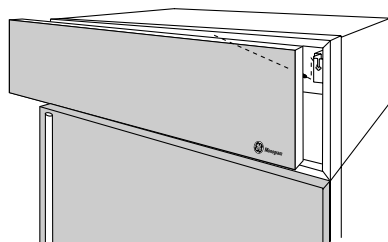
Step 9 Mount Top Grille Panel

For shipping purposes, the top case trim is secured at 84" installation height.

To raise case trim to 84-1/2" installation height or to lower case trim to 83-1/2":

- Loosen 2 screws on both sides and raise or lower the top case trim to meet soffit height or to the top of adjacent cabinets.
- Tighten all 4 screws.
- Mount the grille panel by dropping into slots on the case trim.

The grille panel assembly is factory set for an 84" installation height. If installation height is 83-1/2" or 84-1/2", order ZGCSS36RH (right hand) or ZGCSS36LH (left hand) grille panel kit.



IMPORTANT: Maintain 1-1/2" min. gap between top of doors and bottom of grille panel.

Installation

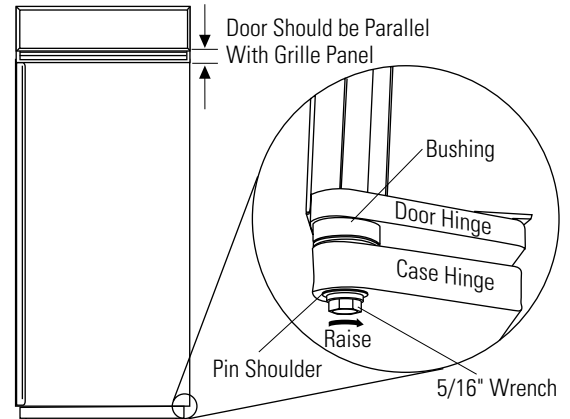
36" Stainless Steel Refrigerators, Freezers

Step 10 Adjust Door Alignment

Check door alignment. The top of the door should be parallel with the grille panel. If the door appears to be too high or too low on the handle side, adjustments can be made by turning the hinge.

- To raise the door, turn adjustable hinge pin toward the right.
- To lower the door, turn hinge pin toward the left.

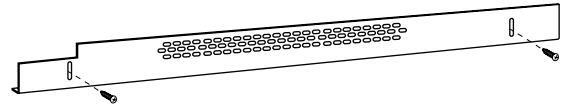
Turn the hinge pin with a 5/16" wrench or, on some models, use the 3/16" Allen wrench taped to the hinge.



Step 11 Install Toekick

- A standard toekick is supplied. Install with 2 screws provided, adjust to desired height and tighten screws.

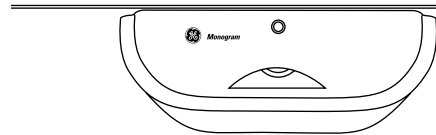
IMPORTANT: The vented toekick must remain unobstructed for proper air circulation and operation.



Step 12 Temperature Controls

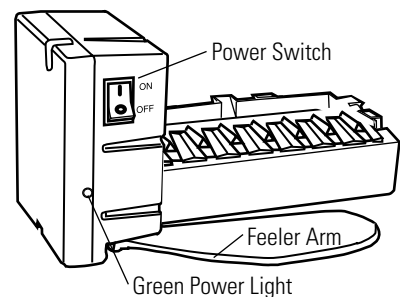
- Set temperature control at "5".

IMPORTANT: Allow 24 hours for temperatures to stabilize before making adjustments.



Step 13 Start Icemaker

- Start the switch to I (on). The green light will come on and the icemaker will begin operation automatically.
- Be sure nothing interferes with the sweep of the feeler arm.
- Discard the first few batches of ice cubes.
- To turn the icemaker off, set the switch to O (off). Allow 45 minutes for the icemaker to resume operation.



Problem Solving

Operation of Refrigerator and Freezer

If the product does not operate after checking the installation instructions:

- Check to be sure power cord is plugged in the wall outlet.
- Check to be sure that fuse or circuit breaker is turned on.

If any of these problems persist:
Call for Monogram local service in your area,
1.800.444.1845.

Cleaning the Stainless Steel Exterior

Stainless Steel has some unique cleaning characteristics. In order to keep your refrigerator or freezer looking like new, we suggest cleaning it with *Stainless Steel Magic* or a similar product.

Stainless Steel Magic is available at Ace, True Value, Home Depot, Servistar, HWI and other leading stores. It is also available through GE Parts by calling 1.800.626.2002. Order part number WX10X15.

ZUGSS Trim Kit

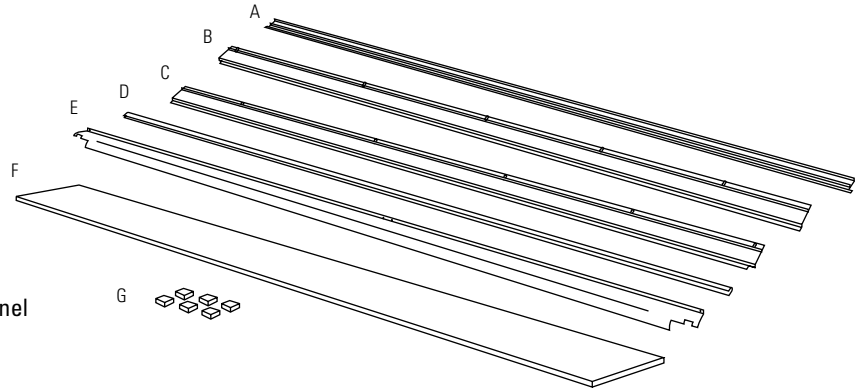
Unified Stainless Steel Custom Grille Panel

Tools and Materials Required:

- #1 and #2 Phillips screwdrivers or sockets
- 1/4" angled wrench and 1-1/2" open ended wrench
- Drill and appropriate bits
- Custom grille panel
- Safety glasses
- Gloves to protect against sharp edges

Parts List:

- A. Soffit Vent Top
- B. Left Side Case Trim
- C. Right Side Case Trim
- D. Center U-Shape Trim
- E. Grille Base Wrap
- F. Stainless Steel Unified Panel
- G. Foam Spacer Pads



Completion Time: Allow approximately 3 hours to install this kit.

IMPORTANT: 2 People are required to install this kit.

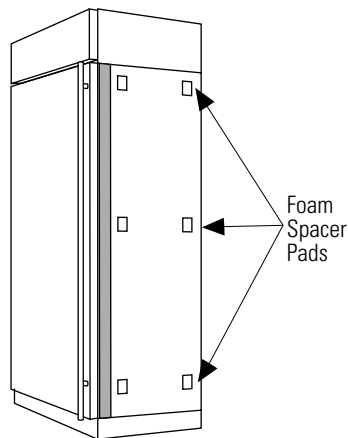
CAUTION: Disconnect power before you begin.

Step 1 Install Spacer Pads, Replace Side Case Trims

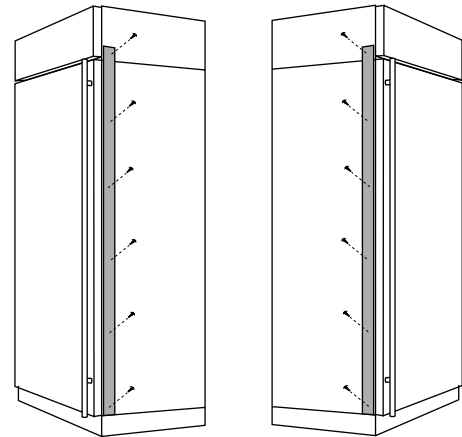
CAUTION: Handle parts with care to avoid scratching.

In a side by side installation, the inside case trim of both products will be removed and replaced with a shorter trim.

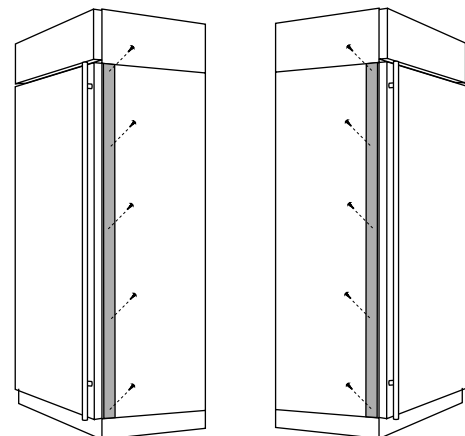
- Lift up to remove the supplied grille panel assembly on both products. Discard both assemblies.



- Apply the supplied foam spacer pads to the mating side of one product as shown.



- Remove the Phillips head screws from the inside case trim of each product as shown. Remove and discard side trim. Retain screws.



- Install new side case trim with notches toward the bottom. Install with original screws.

ZUGSS Trim Kit

Unified Stainless Steel Grille Panel

Step 2 Install Anti-Tip Brackets

WARNING

ANTI-TIP PRECAUTIONS
These products are heavy at the top and must be secured to prevent the possibility of tipping over.

ATTENTION

PRECAUTIONS CONTRE LES BASCULEMENTS
Le réfrigérateur est beaucoup plus lourd en haut et il faut le maintenir en place pour éviter la possibilité de son basculement vers l'avant.

- Cut a 2"x4" block, 71" long. Secure the 2"x4" to the 4 mounting brackets provided using #12 or #14 wood screws.
- Secure the brackets with wood block to the back wall so that it is 84" (or your installation height) from the finished floor. Use #12 or #14 wood screws. See illustration.
- Screws must penetrate at least one inch into vertical wall studs.

Roll Both Products into Opening

- Gently push each product into opening with hands against front corners. Push back into the opening until it is flush or semi-flush with adjacent cabinets.

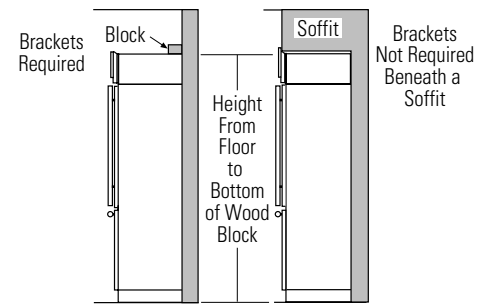
Step 3 Level Both Products

Both products **MUST BE LEVEL AND PLUMB** with each other and adjacent cabinetry on each side. Toekick heights should align with cabinetry.

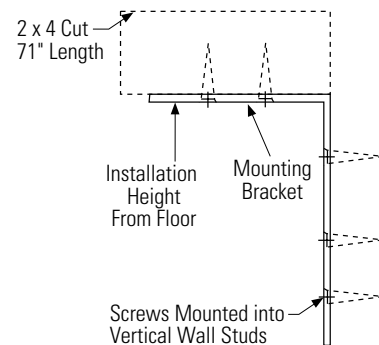
- Adjust carefully. Both models have 4-point leveling. The front is supported by leveling legs, the rear is supported by wheels.
- Raise units to the same level, aligning with adjacent toekick heights.
- Adjust rear wheels beneath the product to just barely touch the 2x4 block.
- Turn the 7/16" hex nut located above the front wheels to raise or lower the back of the refrigerator.
- To adjust the front leveling legs: Use a 1/4" angled wrench to turn the top of the leveling leg, or turn the bottom of the legs with a 1-1/4" wrench.

CAUTION

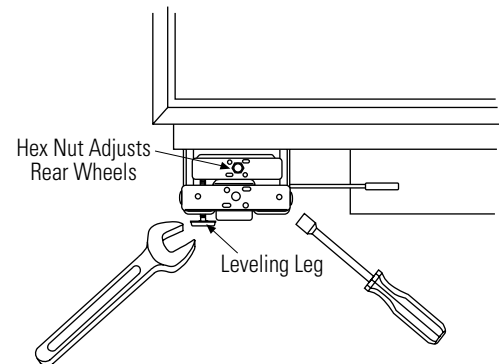
The rear leveling wheels and front leveling legs are limited to a maximum height adjustment of 1". If the installation requires more than 84-1/2" height, the installer should elevate the refrigerator on a sheet of plywood or runners. Cabinetry trim could also be added across the top of the opening to shorten the opening. **If you attempt to raise the refrigerator more than 1", you will damage the front leveling legs and rear leveling wheels.**



Side View



IMPORTANT NOTE: When the products are installed under a soffit or if there is not enough height for this method of security, use Step 4 as an alternative. **The refrigerator and freezer must be secured to prevent tipping.**



Units must be 1" apart and evenly aligned at top and bottom. The inside case trims must align, top and bottom.

PRUDENCE

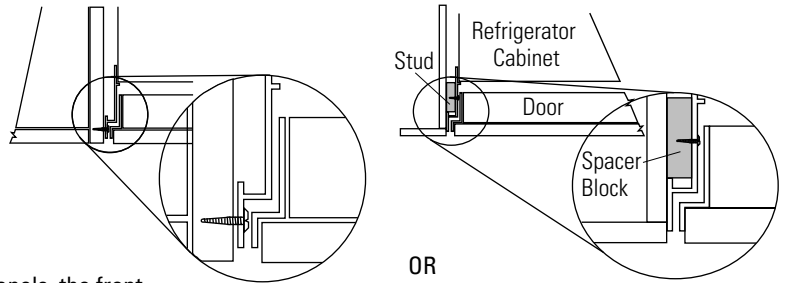
Les roues de nivellement arrière et les pattes de nivellement avant permettent un réglage maximal de 25 mm (1 po). Si l'ouverture pour le réfrigérateur a une hauteur supérieure à 2,15 m (84-1/2 po), l'installateur doit élever le réfrigérateur sur une feuille de contre-plaqué ou des glissières. Il est également possible d'ajouter des baguettes de finition des placards sur le haut de l'ouverture afin de la réduire. **Lever le réfrigérateur de plus de 25 mm (1 po) endommage les pattes de nivellement avant et les roues de nivellement arrière.**

ZUGSS Trim Kit

Unified Stainless Steel Grille Panel

Step 4 Secure Products To Sides

NOTE: This step can be used as an alternative to Step 2, Anti-Tip bracket installation, whenever brackets cannot be used. Whenever possible, perform this step for additional anti-tip security.



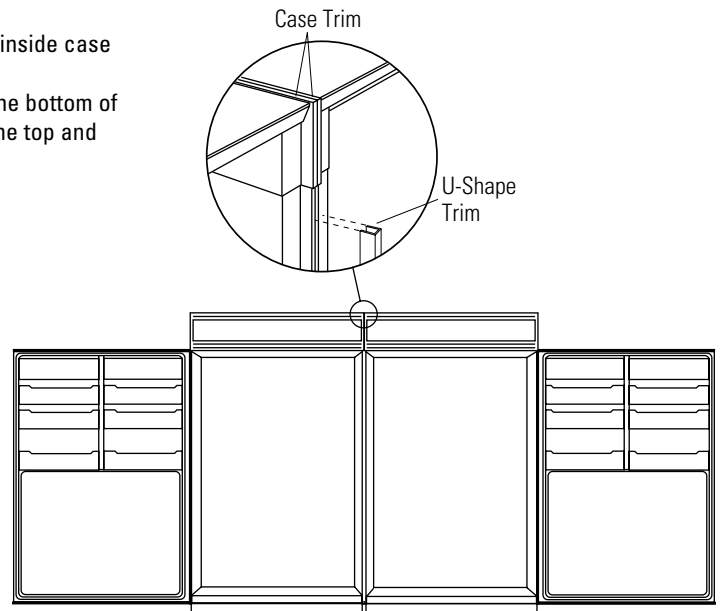
When using 1/2" to 3/4" thick side panels, the front flange of the case trim is attached to the side panel.

- Open door to access case trim.
- Drill hole in trim slightly below the interior opening.
- Drive screw through the trim and into the side panel.
- Follow the same procedure on the opposite outside product trim.

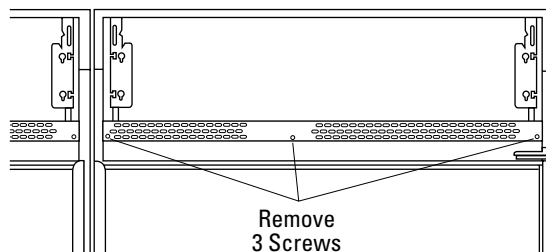
If the product is installed between cabinets with no side panels or into a custom enclosure, install a spacer block as shown.

Step 5 Install Center Trim Strip

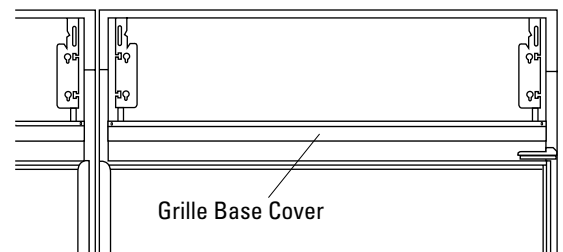
- Open doors fully.
- Starting at the top, press trim strip over inside case trims of both products.
- Continue pressing trim until you reach the bottom of the case trims. The trim will align with the top and bottom of the case trim.



Step 6 Remove Wire Fence and Switch Cover



- Remove 3 screws holding the wire fence on both products. Retain fences and all screws.

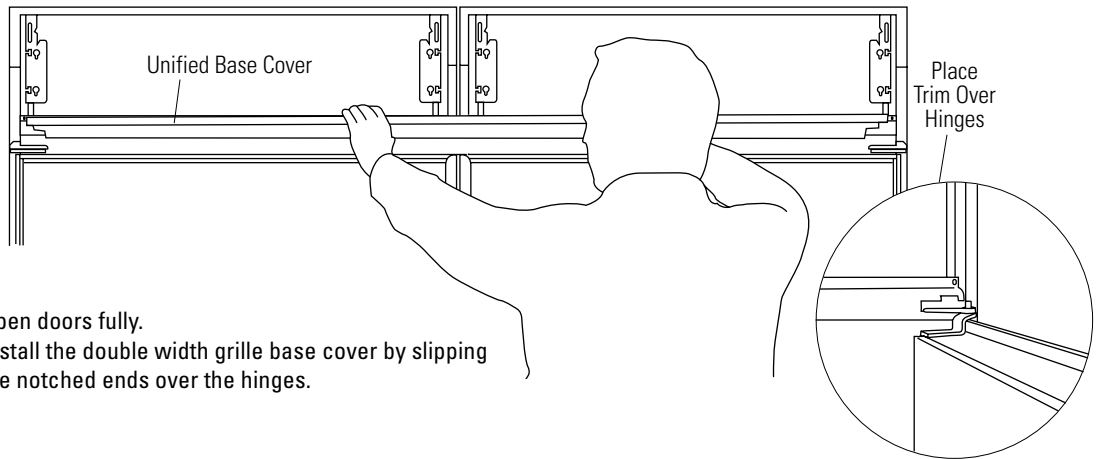


- Lift off grille base covers. Discard covers.

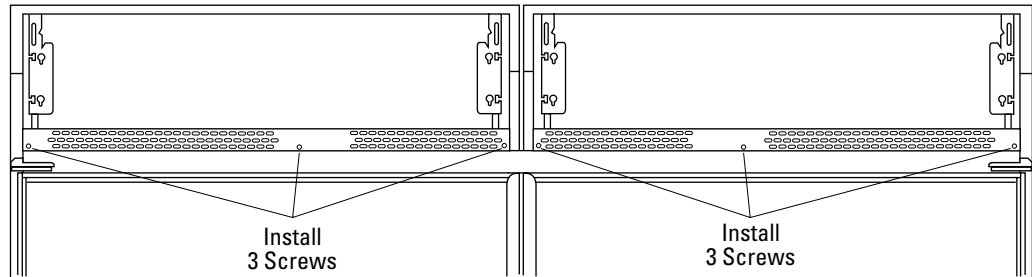
ZUGSS Trim Kit

Unified Stainless Steel Grille Panel

Step 7 Install Grille Base Cover

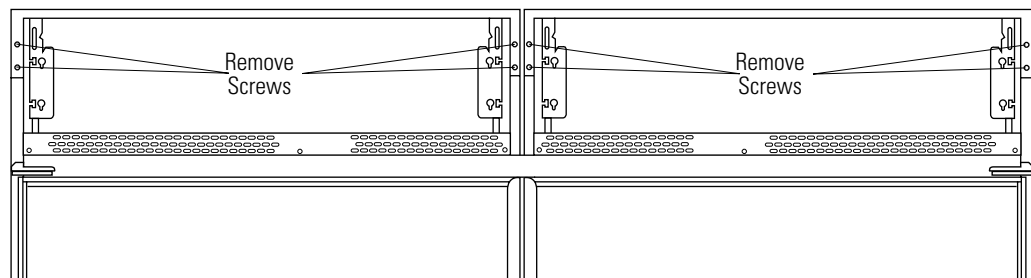


- Open doors fully.
- Install the double width grille base cover by slipping the notched ends over the hinges.

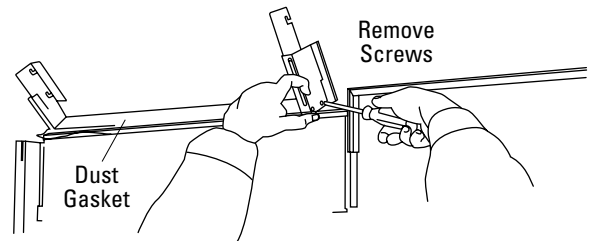


- Place wire fence over the grille base cover (textured side out). Drive original wire fence screws through the fence, the grille base cover and into the frame.

Step 8 Remove Grille Frame



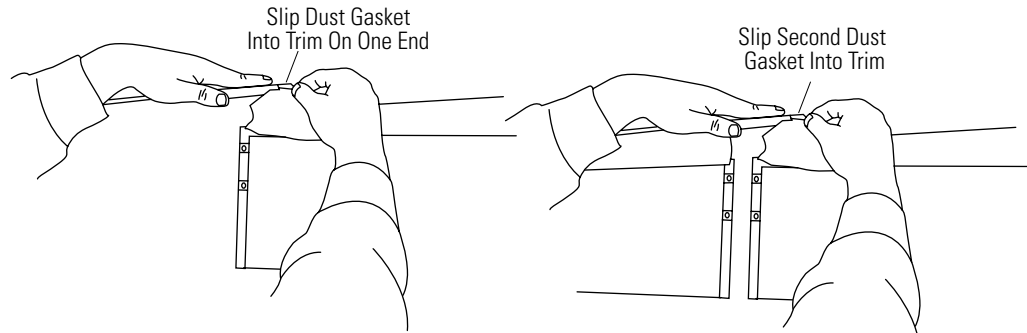
- Back out 2 screws on each side of the top case trim.
- The top piece is secured to the unit with a rubber dust gasket. Roll the trim upward to access and remove end screws as shown. Remove and discard inside pieces.
- Slide assembly out of the rubber gasket.



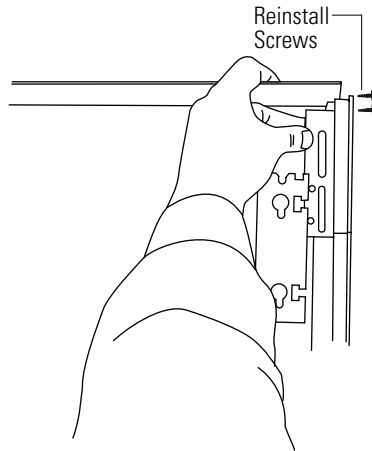
ZUGSS Trim Kit

Unified Stainless Steel Grille Panel

Step 9 Install Soffit Vent Top



- Separate the top and hinge side trim pieces by removing side screws. Discard top piece; retain screws.
- Install one end piece to unified top piece with 2 original screws.
- Slip end of rubber dust gasket into end of top unified piece and slide trim towards the center. Engage the second piece of gasket and continue sliding trim until even with opposite ends.
- Reinstall end pieces to case trims. Push top piece up against soffit or to installation height. Tighten screws on both sides.
- Whenever possible, place a level on the top trim. Adjust side trims until entire grille frame is level.



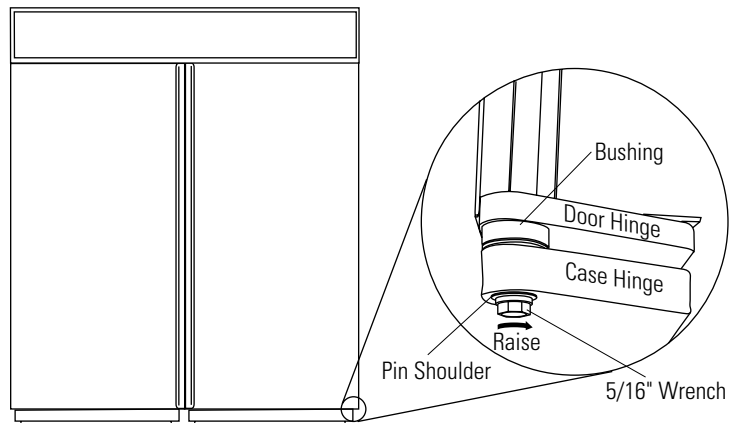
Step 10 Mount Unified Grille Panel

- Mount the unified grille panel by dropping into slots on the outside case trim.

ZUGSS Trim Kit

Unified Stainless Steel Grille Panel

Step 11 **Adjust** **Door** **Alignment**



Check door alignment. The top of the door should be parallel with the grille panel. If the door appears to be too high or too low on the handle side, adjustments can be made.

- Use a 5/16" wrench to turn the hinge.
- To raise the door, turn adjustable hinge pin toward the right.
- To lower the door, turn hinge pin toward the left.

Note: While performing installations described in this book, safety glasses or goggles should be worn.

For Monogram® local service in your area, call 1.800.444.1845.

Note: Product improvement is a continuing endeavor at General Electric. Therefore, materials, appearance and specifications are subject to change without notice.



Monogram®

GE Consumer Products
General Electric Company
Louisville, KY 40225

©2003 General Electric Company

| |
|-----------------------|
| Pub. No. 49-60073-3 |
| Part No. 197D3003P001 |

12-03 JR
65161-01